

CARTEK

AUTOMOTIVE ELECTRONICS

CK-LRS-15RM INSTRUCTIONS

INTRODUCTION

Designed to meet the FiA 8874-2019 regulations this Rain Light can be operated in Static mode or Flashing 4Hz mode, and can be mounted in a horizontal or vertical position.

WIRING

Static Mode:

Red wire - +12V Supply
Blue wire - Not Connected
Black wire - Gnd

Flashing 4Hz Mode:

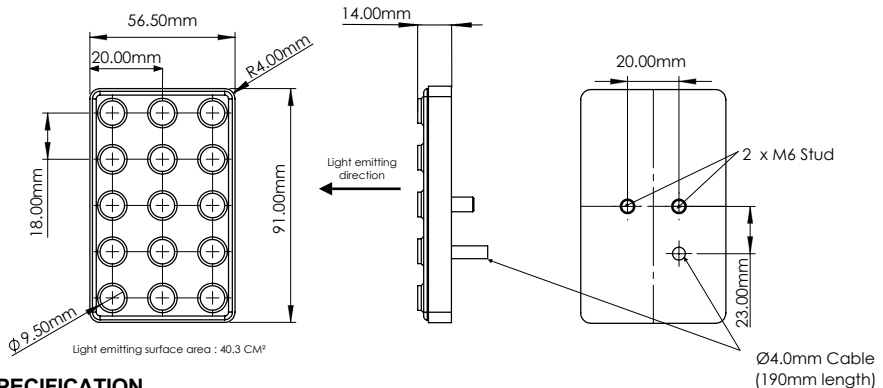
Red wire - Not connected
Blue wire - +12V Supply
Black wire - Gnd

Note:

The Rain Light will be hot to touch if operated in Static Mode for a long period of time. If mounting close to exhaust then it is recommended to use Flashing 4Hz mode only.

INSTALLATION

Mount securely using the two rear M6 studs and foam gasket. Maximum torque 7.0 N/m.



SPECIFICATION

Part Number:	CK-LRS-15RM
Homologation No:	RL.009.22
Size:	56.5 x 91.0 x 14.0mm
Operating Temp:	-10 to 105°C
Power Supply:	11.3-15.6V
Power Consumption:	700mA @ 12.5V
Number of Light Sources:	15 LEDs
Colour of Light:	Red @ 620nm
Weight:	120g
Connection:	190mm Mil-Spec Flying lead (Type 55 22awg wire)
IP Rating:	IP65

Rev 5
23/11/2022

www.CARTEKMOTORSPORT.com
For off-road use only

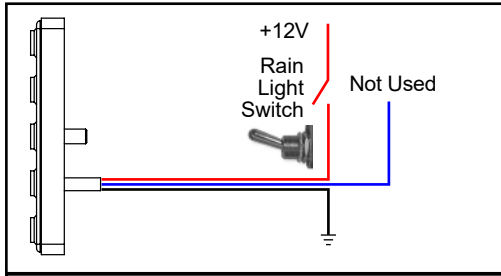
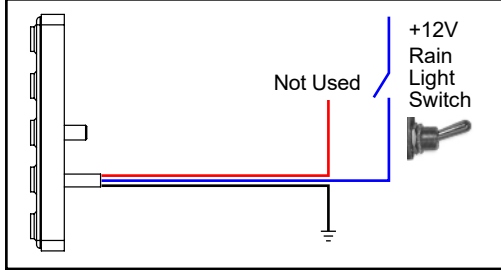
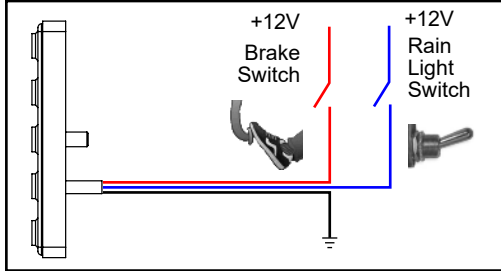
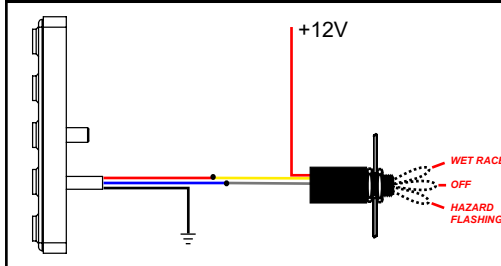
Made in U.K.

CARTEK

AUTOMOTIVE ELECTRONICS

CK-LRS-15RM INSTRUCTIONS

CONNECTION EXAMPLES

	<p>Static Mode only: Red wire - +12V Blue wire - Not Connected Black wire - Gnd</p>
	<p>Flashing 4hz Mode only: Red wire - +12V Blue wire - Not Connected Black wire - Gnd</p>
	<p>Brake Light/Rain Light: Red wire - +12V from Brake Switch Blue wire - +12V Black wire - Gnd</p>
	<p>CARTEK 3 Position Rain Light Switch: Red wire - Yellow wire (Switch) Blue wire - Grey wire (Switch) Black wire - Gnd Red wire (Switch) - +12V</p>