

DATA SHEET

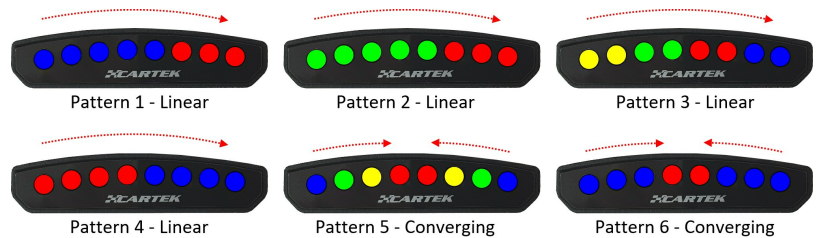


The improved CARTEK Shift Light is dashboard mounted device that is designed to indicate to the driver the optimum time to shift up a gear to obtain maximum performance from their engine.

The device contains 8 multi-coloured LEDs which form a display sequence that will commence at an engine speed prior to optimum and complete at precisely the optimum speed thereby giving the driver early indication to shift up before the rev limiter is reached or engine damage occurs.

FEATURES

- Configure the lower and upper RPM settings with or without the engine running.
- Select from 6 LED display patterns for the Shift Light sequence.
- Configure day and night brightness of the LED's
- Is fully sealed for open-cockpit cars and motorcycles.



SHIFT LIGHT (CLUB)

Requires an engine speed signal to operate which can be any RPM output from an ECU (5V or 12V square wave), tachometer signal or ignition coil signal. There is an additional filter setting available designed for historic applications.

The Shift Light (Club) comes with an Alarm feature which can be used to alert the driver of an engine issue, such as overheating or low oil pressure, by making a connection to a compatible sensor, data logging system, or dashboard alarm output signal.

Part no: CK-LS-CL



SHIFT LIGHT (OBD2)

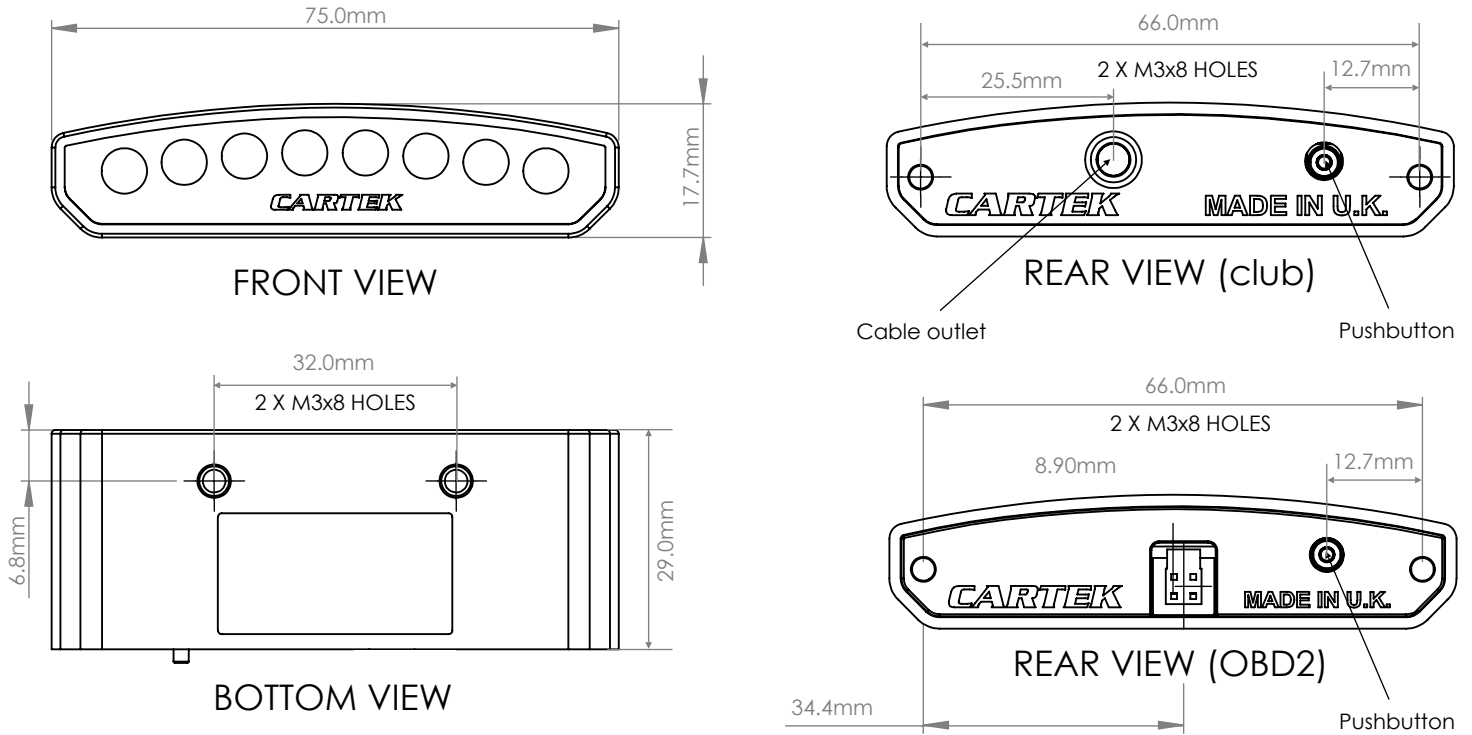
This version of the Shift Light can be plugged directly into the OBD2 port of the majority of vehicles fitted with this type of connector. It is supplied with a dedicated 1.5 meter OBD2 cable and connector so no additional wiring is necessary.

On power up the Shift Light OBD2 will search for the correct OBD2 protocol. When the engine is switched off, the Shift Light OBD2 will enter sleep mode to minimise battery consumption.

Part no: CK-LS-OB2

DATA SHEET

DIMENSIONS



TECHNICAL SPECIFICATIONS

Size:	W=75 mm, H=17.7 mm, D=29.0 mm
Weight:	55g
Operational Voltage:	7v - 18v
Operational Temperature:	-10 -+85°C
Storage Temperature:	-40°C - +125°C
Enclosure	PA 2200 Nylon fully potted. IP64 rated
Current Draw:	0.5A